

HOW TO FIT HANDRAILS

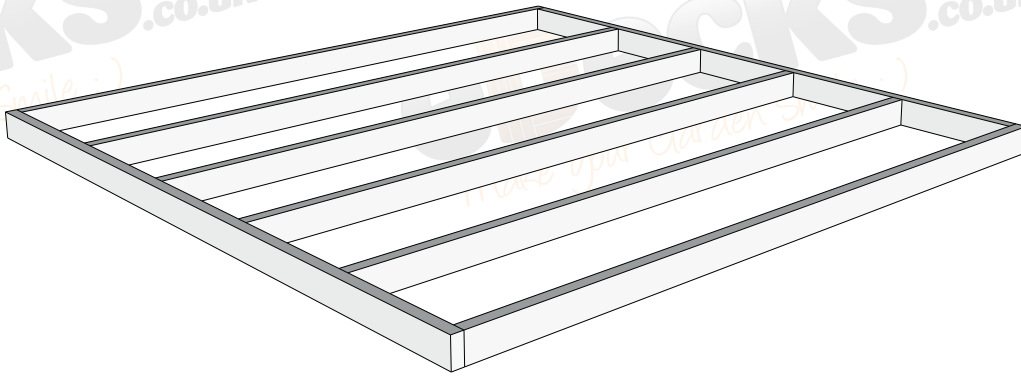


Step 1

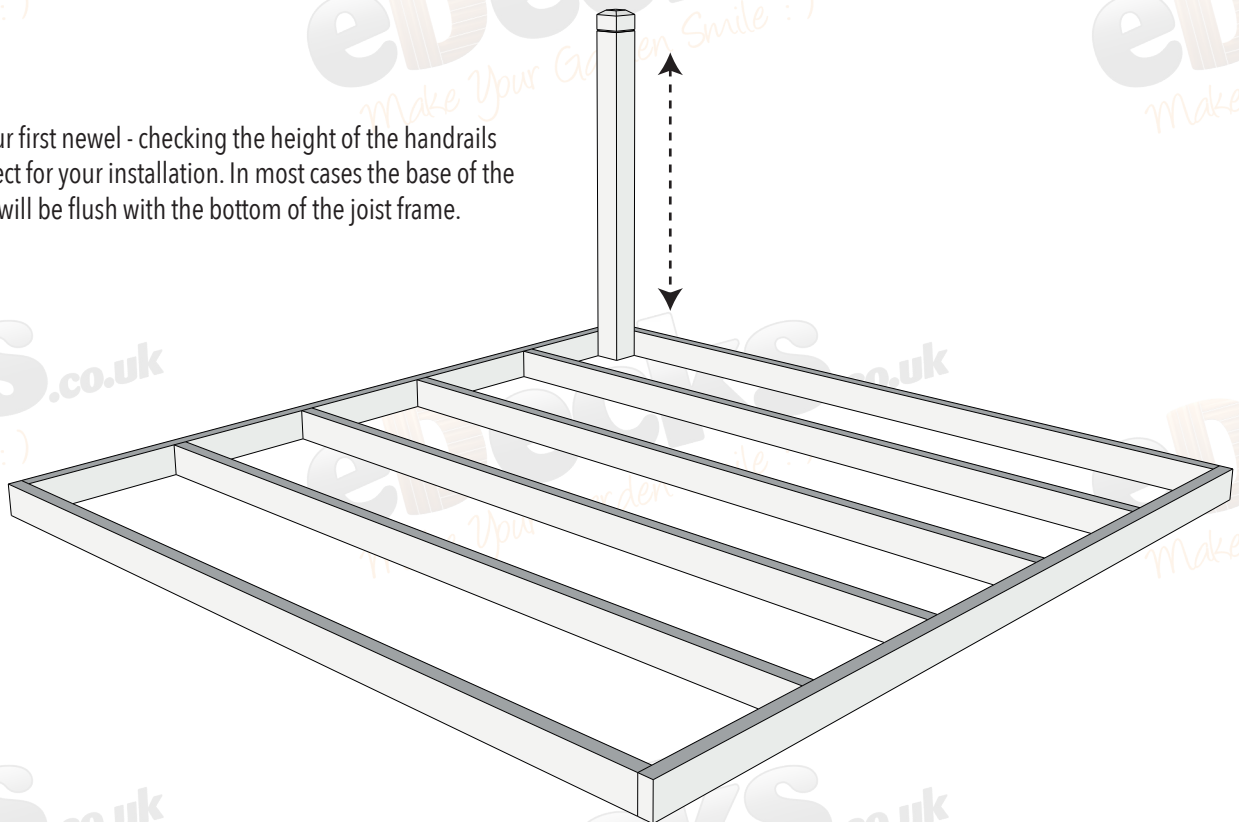
LAY YOUR FRAME

This is an example of a decking frame

**FRAME TO BE LAID ONTO
PAVING SLABS, OR ONTO
GRASS OR SOIL**



Position your first newel - checking the height of the handrails will be correct for your installation. In most cases the base of the newel post will be flush with the bottom of the joist frame.



Step 2

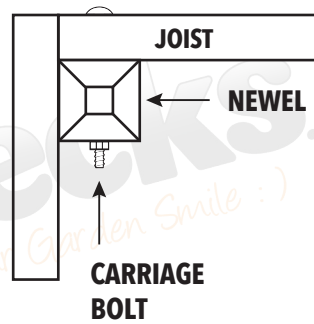
FITTING THE 1ST NEWEL POST

Secure the newel into position using carriage bolts inserted into the newel from the outer side of the joist frame.

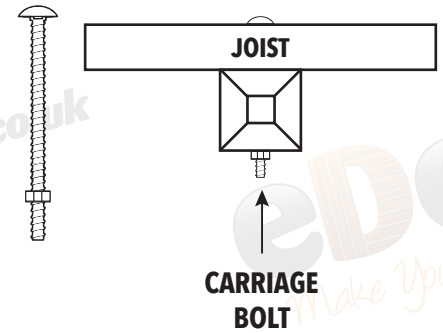
Use a spirit level to check the newel post is completely straight.

JOISTS TOP VIEW

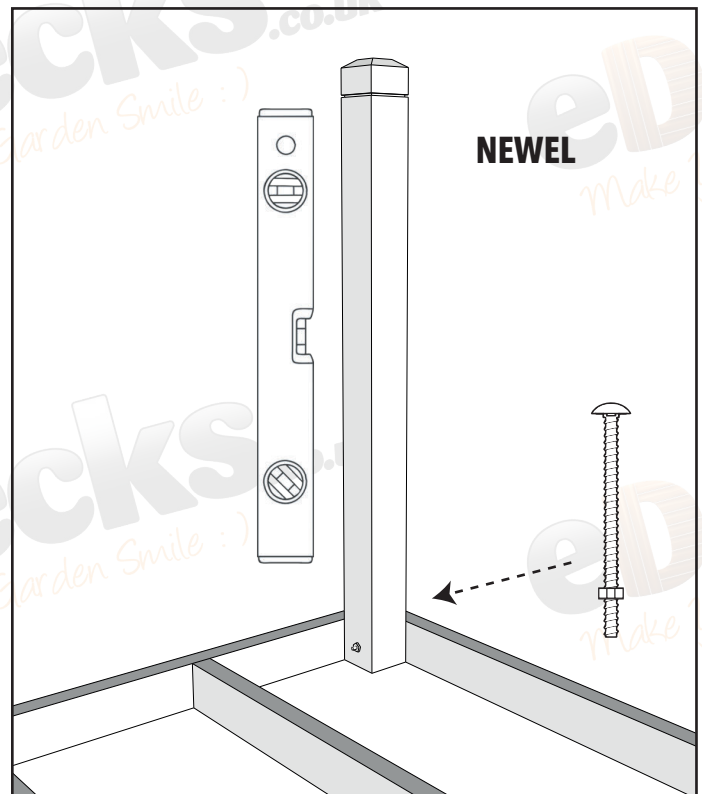
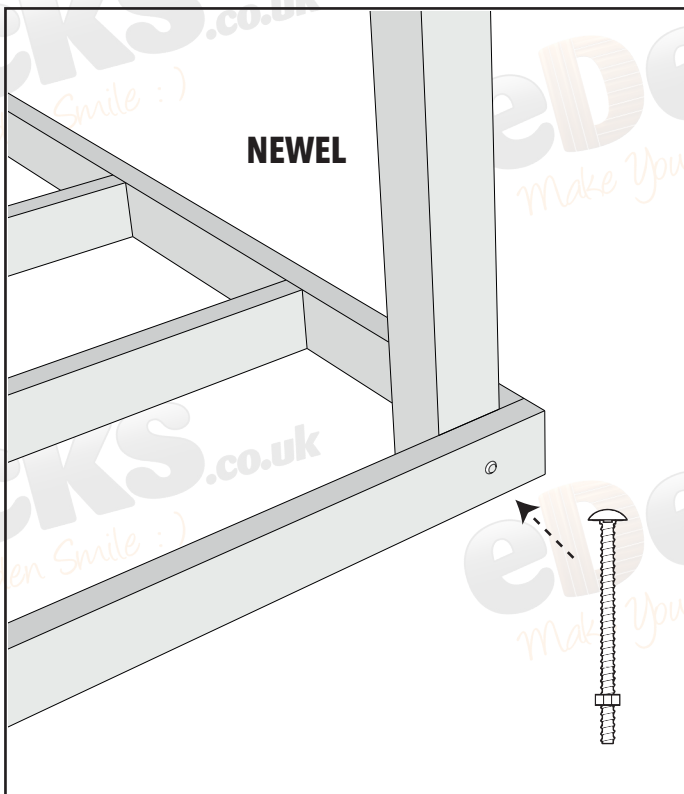
A. SECURE AT CORNER



B. SECURE AT SIDE



CARRIAGE BOLT THROUGH THE JOIST INTO THE NEWEL TO SECURE

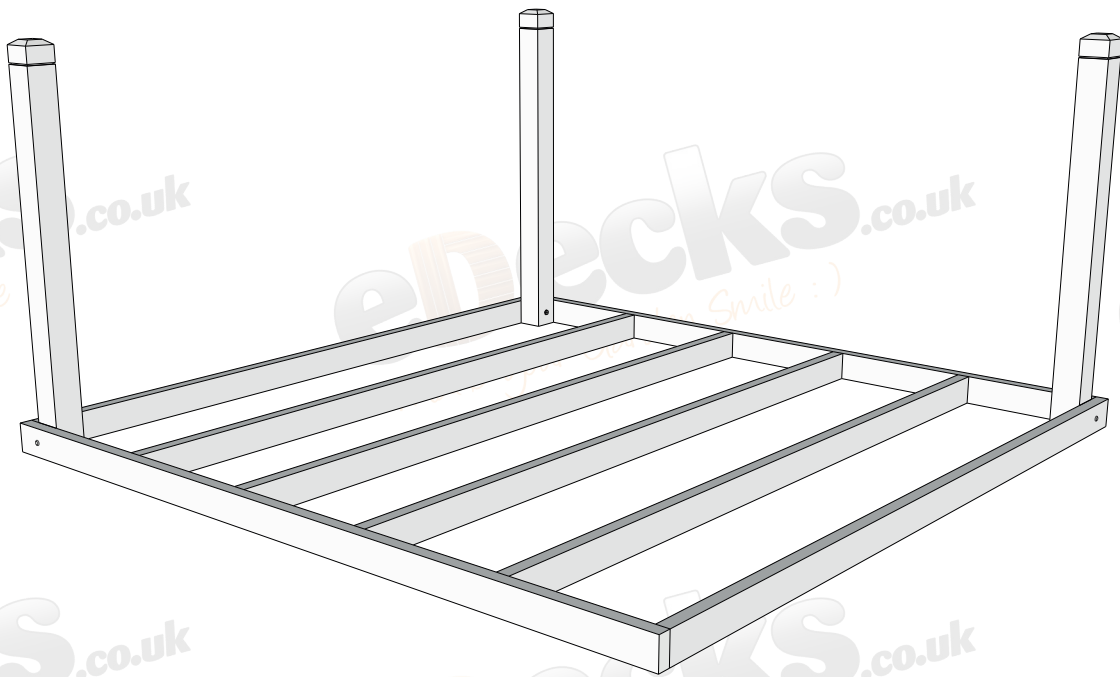


Dont forget to check your work with a level as you go!

Step 3

FITTING THE REMAINING NEWEL POSTS

Position & secure the remaining newels with the carriage bolts as described in step 2



Dont forget to check your work with a level as you go!

Page 3 of 9

All images are for illustration only, Please see individual item listings for actual item specifications

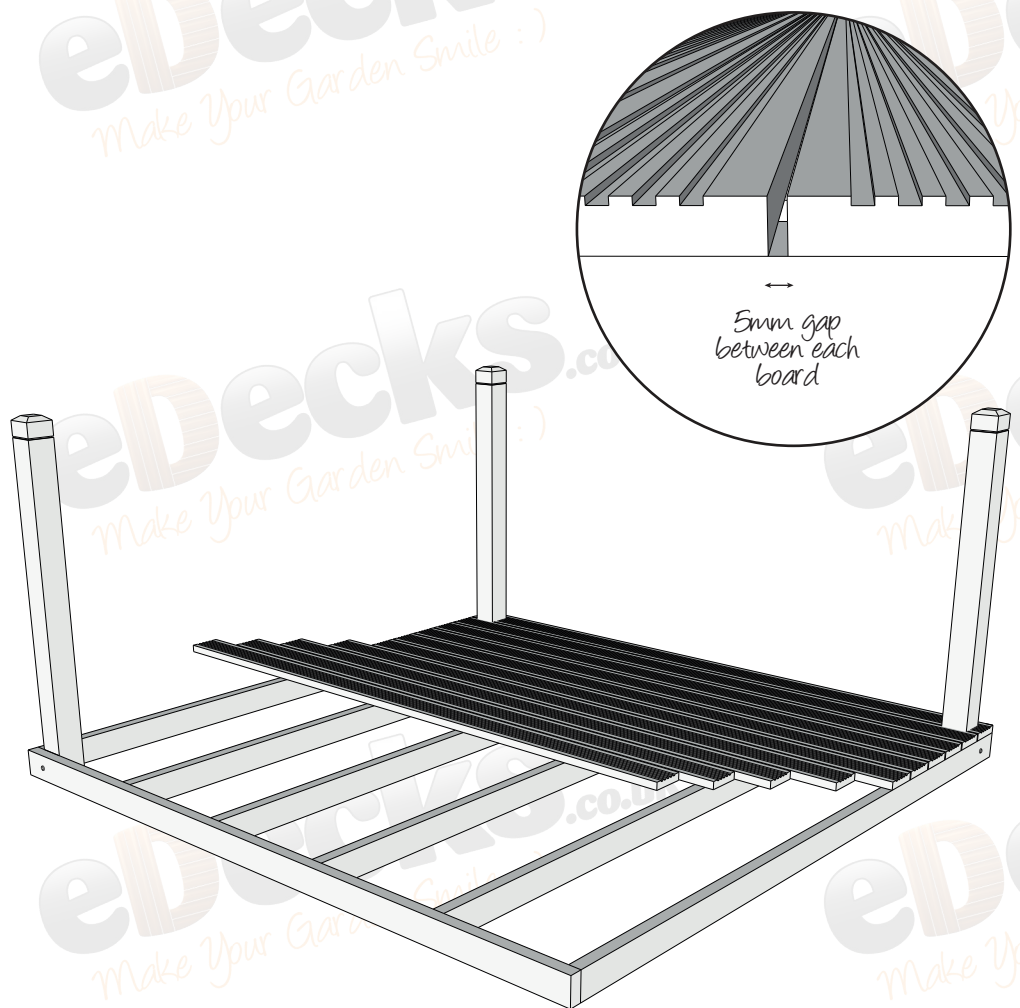
Step 4

INSTALL DECKING BOARDS

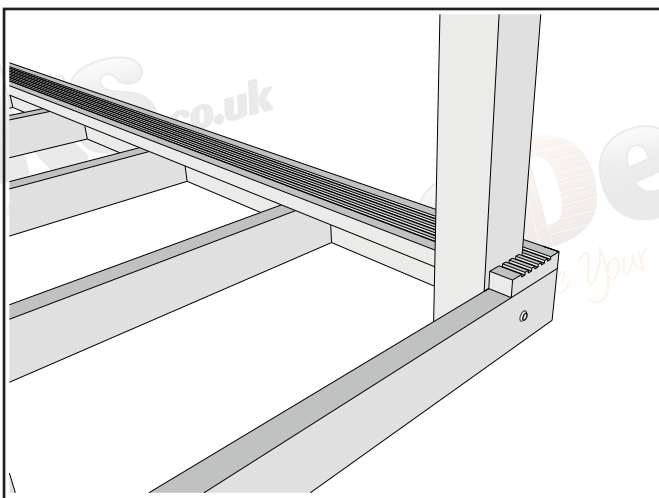
Once all your newels are positioned & secured proceed to install decking boards.

Decking boards should fit exactly to the frame, working in the opposite direction to the joist work, when laying the boards make sure you leave a 5mm gap between each board to allow room for expansion.

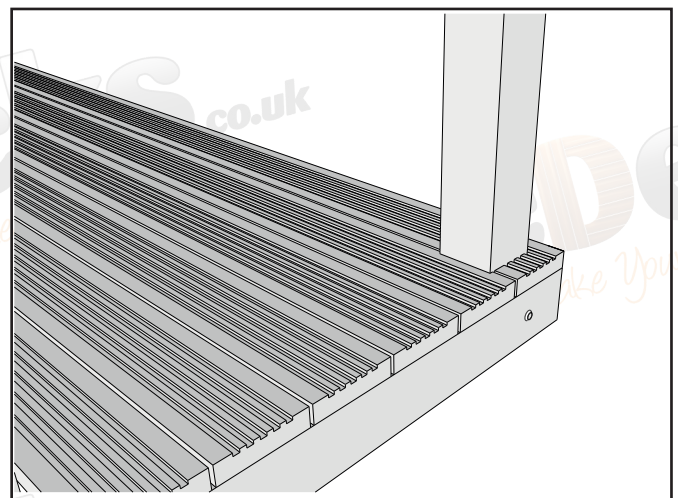
Please note cutting will be required on the outermost boards in order for them to fit around the newel posts (fig A & B)



A.



B.



Dont forget to check your work with a level as you go!

Step 4 Cont'd

INSTALL DECKING BOARDS



Dont forget to check your work with a level as you go!

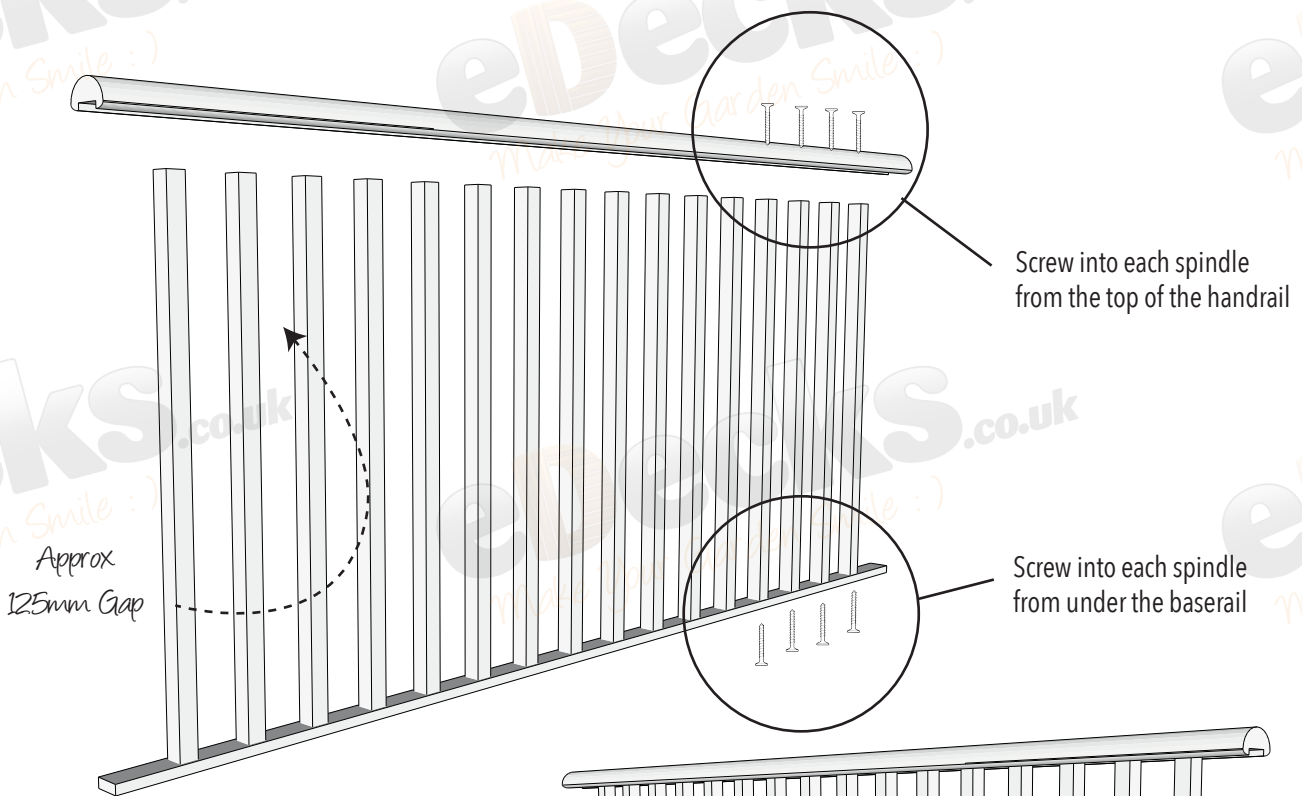
Page 5 of 9

All images are for illustration only, Please see individual item listings for actual item specifications

Step 5

HANDRAIL SYSTEM - OPTION A

Pre-Building the spindles and handrails is the next step.
Accurately measure between the newel posts and cut the hand and base rails accordingly.
There should be a 125mm gap between each spindle



You may use wood filler and stain to hide the imperfections left by the screws

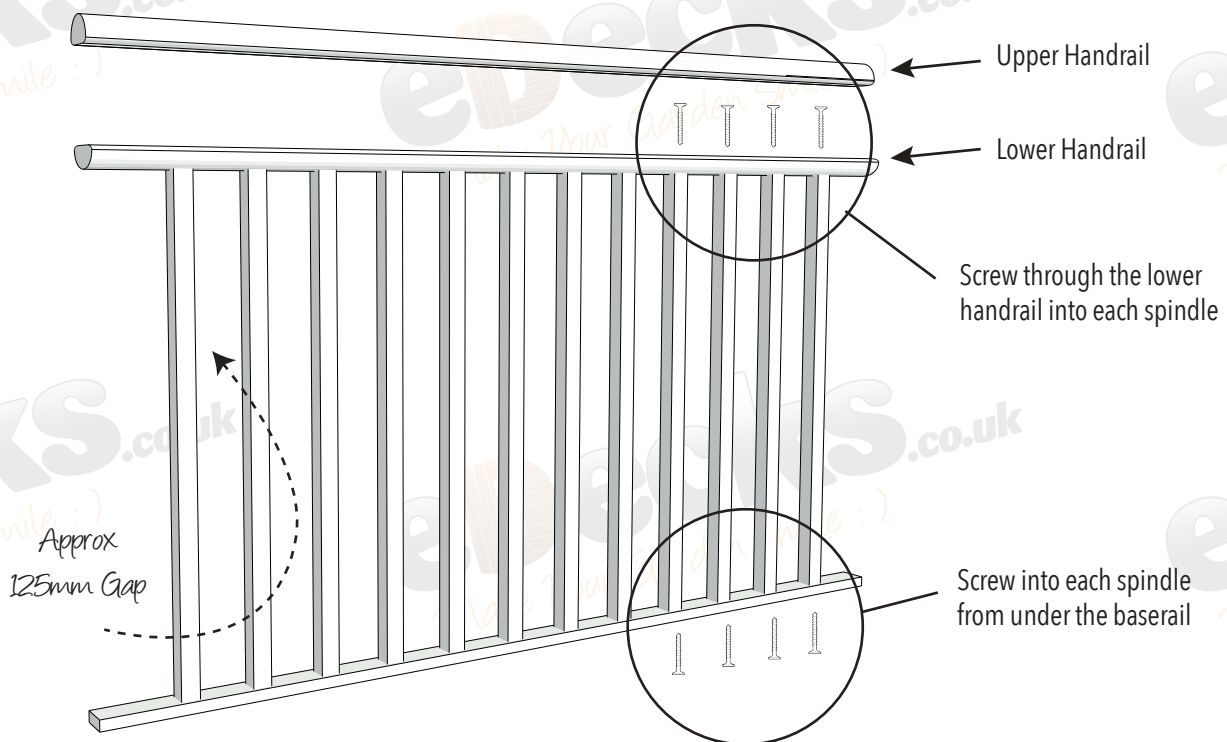


Dont forget to check your work with a level as you go!

Step 5

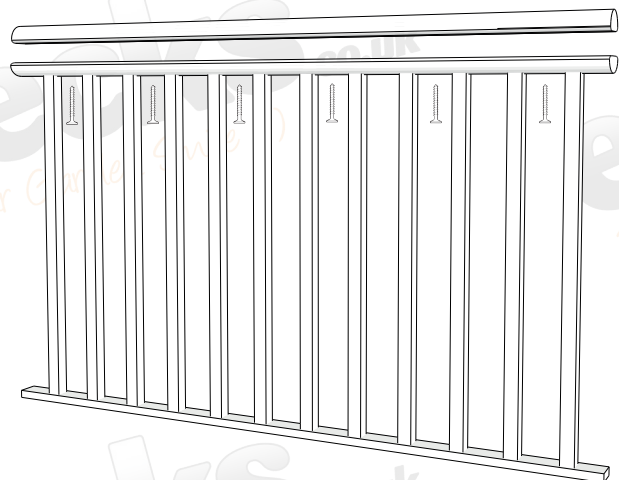
HANDRAIL SYSTEM - OPTION B

Pre-Building the spindles and handrails is the next step.
Accurately measure between the newel posts and cut the hand and base rails accordingly.
There should be a 125mm gap between each spindle



Then complete the handrail section by fixing the upper part of the handrail to the lower part of the handrail

Do this by screwing up through the underside of the lower handrail into the top part of the handrail

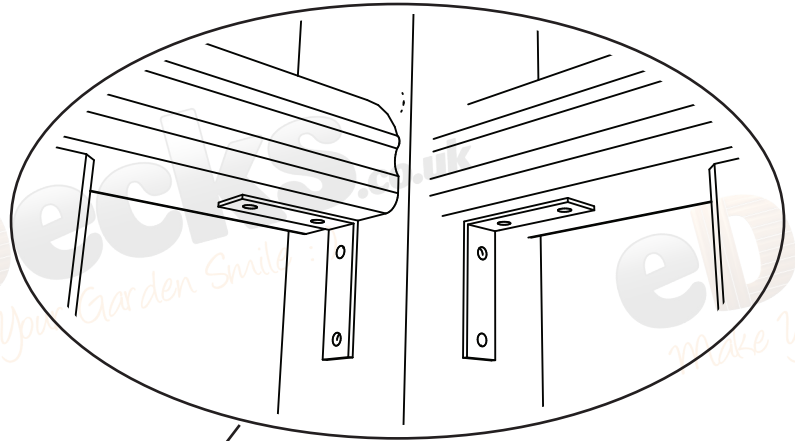


Dont forget to check your work with a level as you go!

Step 5 Cont'd

HANDRAIL SYSTEM

Once your handrail sections are complete - using angle brackets, please proceed to install to the handrail sections to your kit.



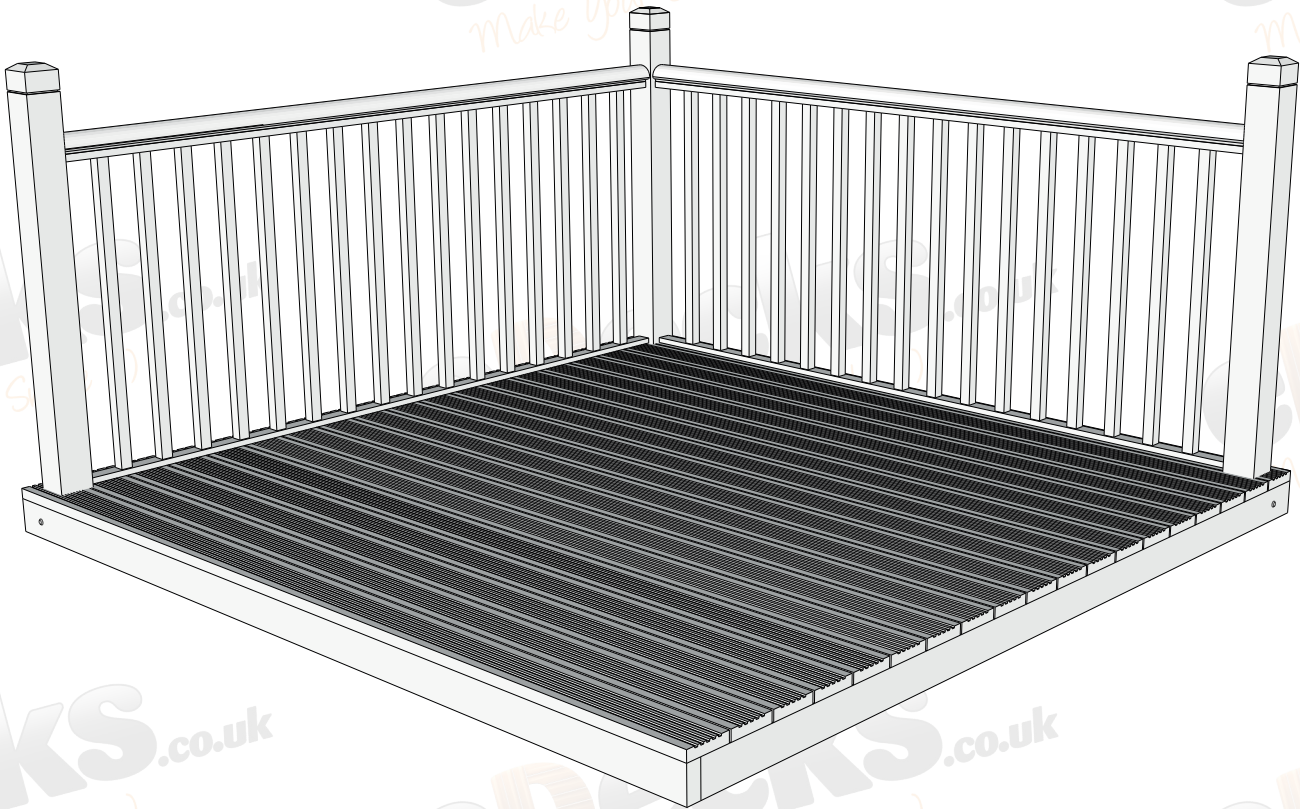
Once this is complete - Sit back and enjoy!

HOW TO FIT HANDRAILS



Step 6

FINISH!



Once this is complete - Sit back and enjoy!

Page 9 of 9

All images are for illustration only, Please see individual item listings for actual item specifications